

KRÖGER

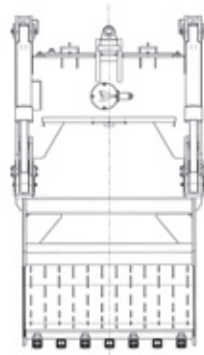
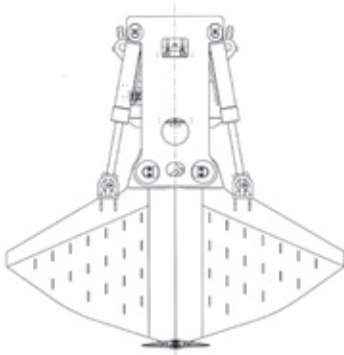
GREIFERTECHNIK

Applications

Extraction of gravel and sand under water by means of floating dredgers with 2- or 4-cable winding gear. Suitable for all areas of river and sea dredging for even the most awkward ground conditions and greatest dredging depths.

Technical design

- **MAINTENANCE-FREE** for environmental protection and enhanced operating efficiency
- High capacity thanks to weight-optimised construction
- Rugged low-torsion grab design for highest loads
- Grab shells made of wear-resistant fine-grained constructional steel
- Interchangeable tooth tips can be adapted to ground conditions
- KRÖGER bearing system, **MAINTENANCE-FREE** at the rotation points of the shells and the cylindrical rod bearings
- KRÖGER service-friendly power unit arrangement; in the cross-beam motor, separate from the hydraulic tank and hydraulic units in the tank
- **Eco-friendly hydraulic fluid:**
Bio-hydraulic fluid for low environmental impact



MUG type

Motor-driven underwater grab



“Get to grips with the grab technology of tomorrow!”

KRÖGER

GREIFERTECHNIK

KRÖGER Greifertechnik GmbH & Co. KG

Steinheide 1–9

D-47665 Sonsbeck

Phone +49 2838 37-0

Fax +49 2838 37-39

info@kroeger-greifertechnik.de

www.kroeger-greifertechnik.de

Sales

Koblenz office:

Oberstraße 8a

D-56587 Oberraden

Phone +49 2634 940051

Fax +49 2634 940389

vertrieb@kroeger-greifertechnik.de

“Get to grips with the grab technology of tomorrow!”